

SPECIFICATION:

MEA-JOSAM S1000.EK SERIES POLYMER CONCRETE CATCH BASIN WITH STAINLESS STEEL SEDIMENT BUCKET.

Supplied By:

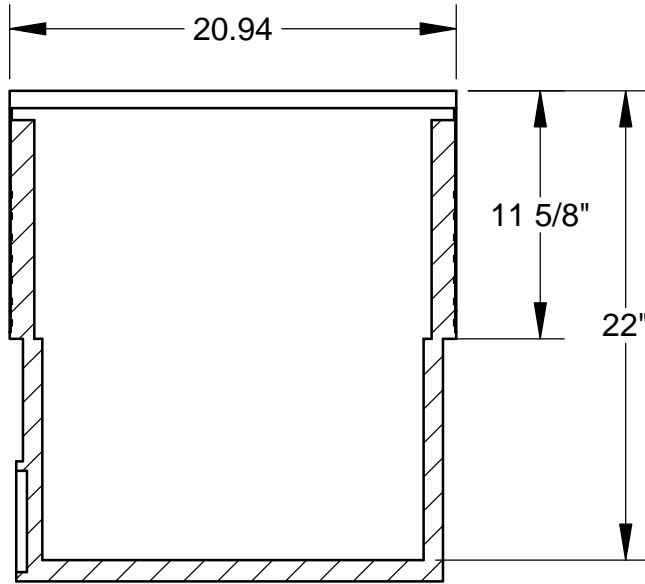


877-903-7246

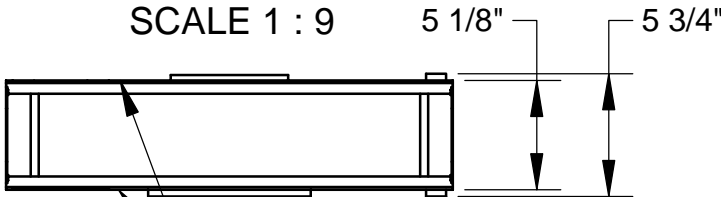
www.trenchdrainsupply.com

CATCH BASIN
MEA POLYMER CONCRETE

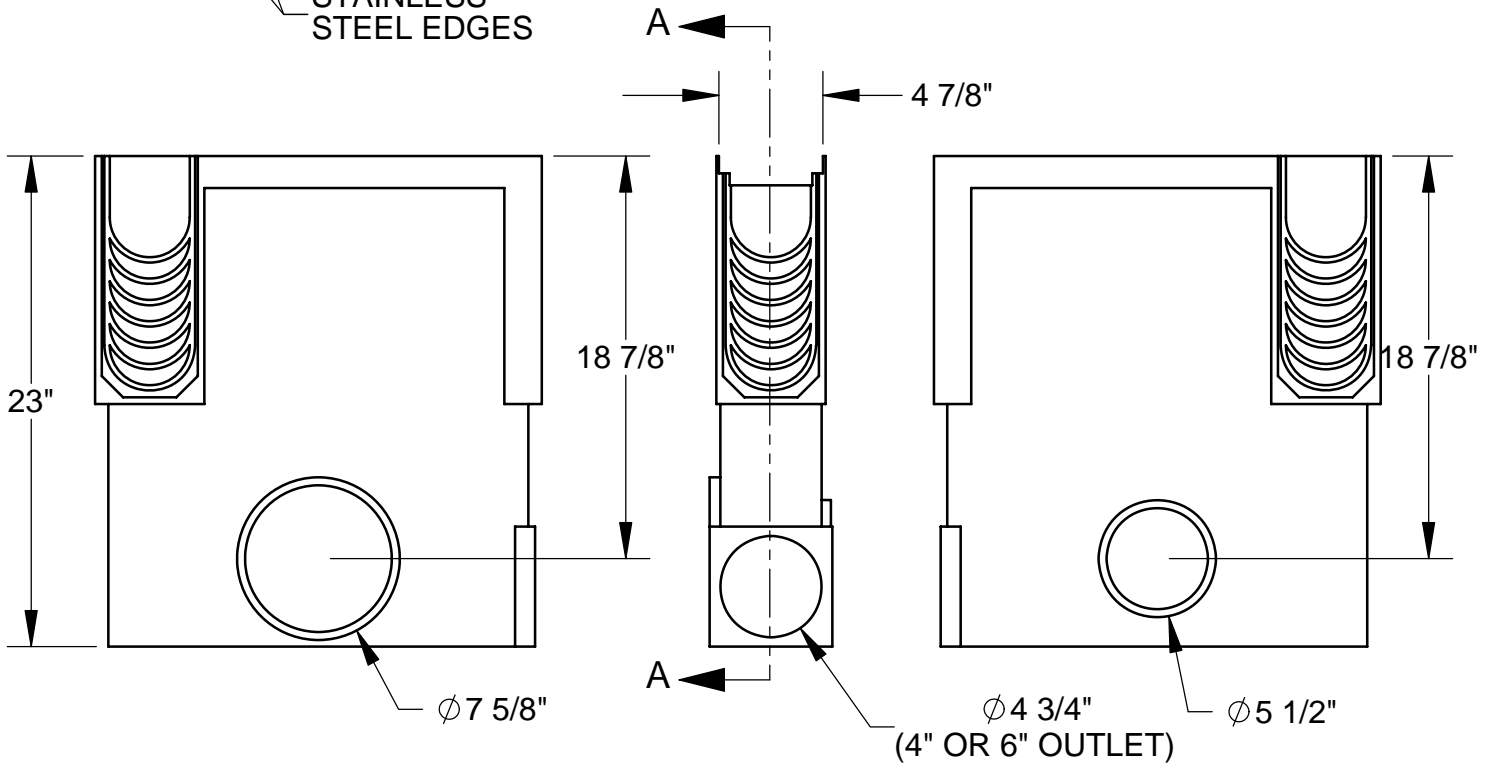
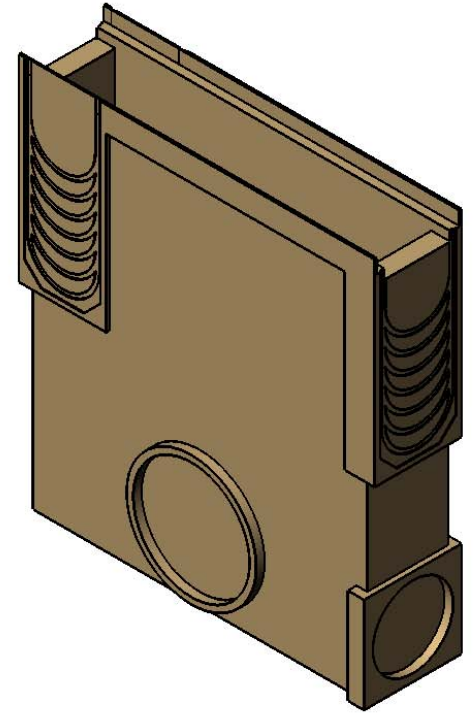
SERIES **S1000.EK**



SECTION A-A
SCALE 1 : 9



STAINLESS
STEEL EDGES



DATE OF LAST CHANGE: 7/7/2011

DIMENSIONS ARE SUBJECT TO MANUFACTURERS TOLERANCES AND CHANGE WITHOUT NOTICE. WE CAN ASSUME NO RESPONSIBILITY FOR USE OF SUPERSEDED OR VOID DATA.

JOSAM COMPANY
MICHIGAN CITY, INDIANA

NOTES